



EXPECT EVEN, EVERY TIME

The golden brown on a potato gratin. The deep crust on a fillet of beef. The moist depths of a rich chocolate cake. Achieving even results time after time demands precisely controlled heat, distributed consistently throughout your oven. Unlike standard ovens, the SurroundCook oven's advanced fan technology ensures that every

Product Benefits & Features

Cook more at the same time and still get a perfect result

The additional heating ring in our oven ensures your dishes are evenly cooked – even when loaded with up to three trays – for corner to corner deliciousness. Sure to make each portion as perfect as the last.



A self-cleaning oven

With one touch of the Pyrolytic cleaning function, dirt, grease and food residue in the oven is converted into ash that you can easily wipe off with a damp cloth.



Fast heat-up time, to get you cooking quickly

Superior and quick cooking results - this oven heats up fast, giving you more time to enjoy the meal with your family and friends.



- Made in Germany
- Bridge Design
- SurroundCook oven
- PYROLUXE® PLUS self-cleaning system, 2 cycles, with reminder function
- MaxiKlasse™ - extra large cavity size
- Touch control
- Electronic timer with timer functions
- Electronic temperature regulation
- Temperature range 30°C - 300°C
- Temperatur regulation
- Residual heat indication
- Automatic oven switch off function
- Easy to clean door
- Wall with Longclean-Emaille
- Runners with easy entry
- SafeToTouch Top
- Grill heating element
- Electronic Child Lock safety function
- Cooling fan
- Cooking functions: Bottom heat, Conventional/Traditional cooking, Defrost, Grilling, Moist fan baking, Pizza setting, True fan cooking, Turbo grilling
- Halogen oven lighting
- Oven light automatic at door opening
- Fan stops when opening the door
- Demo mode
- Service codes
- Oven cavity size: 0 l
- combinable with all oven hobs

Absolute accuracy, every time

The clean glass display with touch buttons gives you even more control over your cooking. The timer is activated by entering start/stop through the LCD screen. Meaning you can expect absolute accuracy - even if you momentarily step away from your oven.

Cooked Evenly everywhere

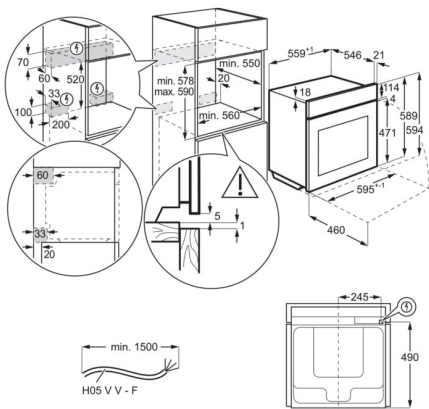
With this oven, using energy efficiently also means cooking efficiently. It has a new convection system called Hot Air, which ensures hot air circulates evenly throughout the oven cavity. The result is that the oven heats up faster and cooking temperatures can be reduced by up to 20%, saving you both time and energy

Product Specification

Product Number Code	940 321 393
EAN	7332543809851
EPRELRegCode	834666
Energy Efficiency Class – Main Oven	A+
Built in height mm	600
Built in width mm	560
Built in depth mm	550
Height total	594
Width mm	595
Depth mm	567
CookingFunctions	Bottom heat, Conventional/Traditional cooking, Defrost, Grilling, Moist fan baking, Pizza setting, True fan cooking, Turbo grilling
Volume usable, l	71
Main colour	Stainless steel with antifingerprint
Type of plug	No
Total electricity loading (W)	10850
Voltage	230
Required fuse (A)	3x16
Lamp power - Top Oven	40
Weight gross cleaner and accessories with packaging	34.5

Weight net cleaner and accessories no packaging	33.5
Package height	670
Package width	635
Package depth	670
Weight package Corrugated Cardboard	199
Weight package Paper/Carton	24
Weight package Wood	0
Weight package PE	135
Weight package PP	0
Weight package Polystyrene (EPS/EPP)	800
Weight package PU	0
Weight package Iron	0
Weight package Rubber	0
Country of origin	DE

PSGBOV180DE0000F



PSGBOV180DE0000G

